

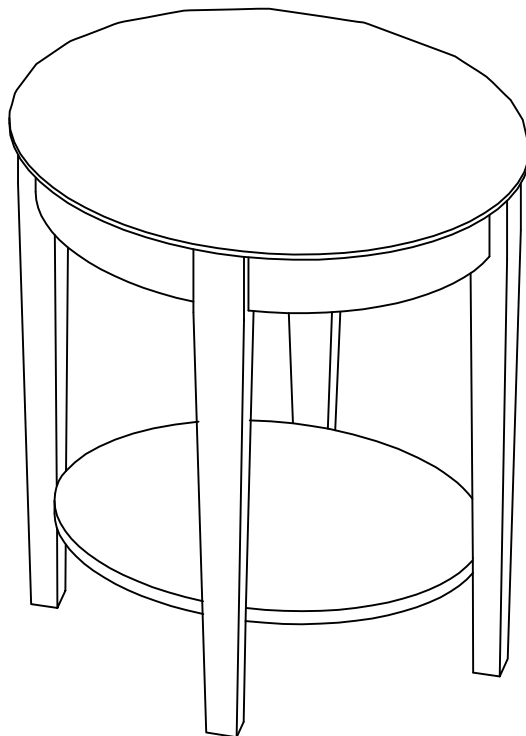
OVAL ACCENT TABLE ASSEMBLY INSTRUCTIONS

PLEASE READ BEFORE ASSEMBLING! (It helps!)

Tip #1: Make sure you've taken all the pieces and hardware out of its packaging before discarding the box.

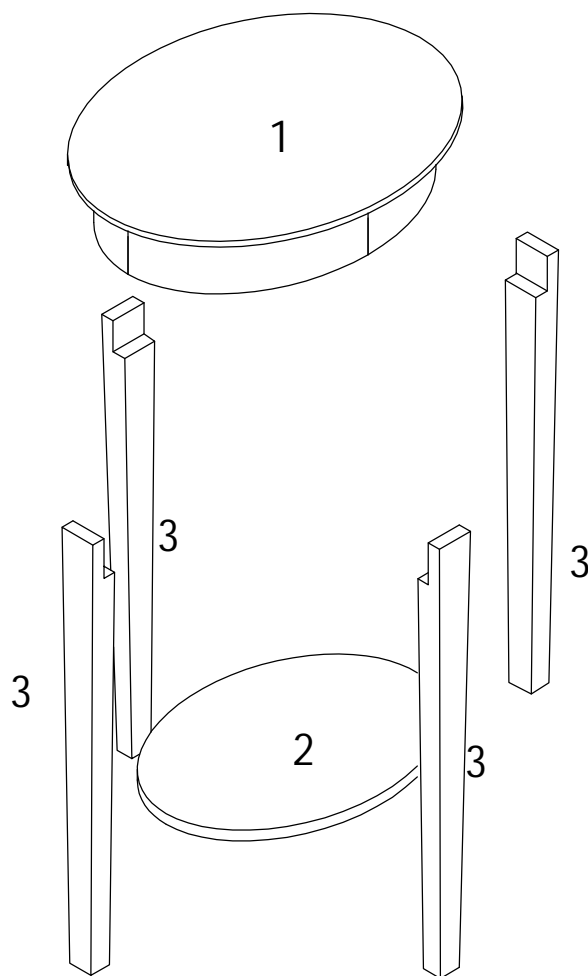
Tip #2: Carefully unpack and identify all parts and hardware prior to assembly.

ITEM#: 151037



PARTS IDENTIFICATION

ITEM#: 151037

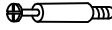

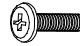



- (1) 1pc
- (2) 1pc
- (3) 4pcs



HARDWARE IDENTIFICATION

ITEM#: 151037

A		L29	4pcs
B		Φ 15	4pcs
C		M6x30	8pcs
D		Φ 16	4pcs

Get Ready!

Our furniture uses an innovative quick assembly method.

Please follow steps in order.

Carefully unpack and identify all parts and hardware to make sure you have everything prior to assembly.

Lay out each wood piece on a clean soft surface.

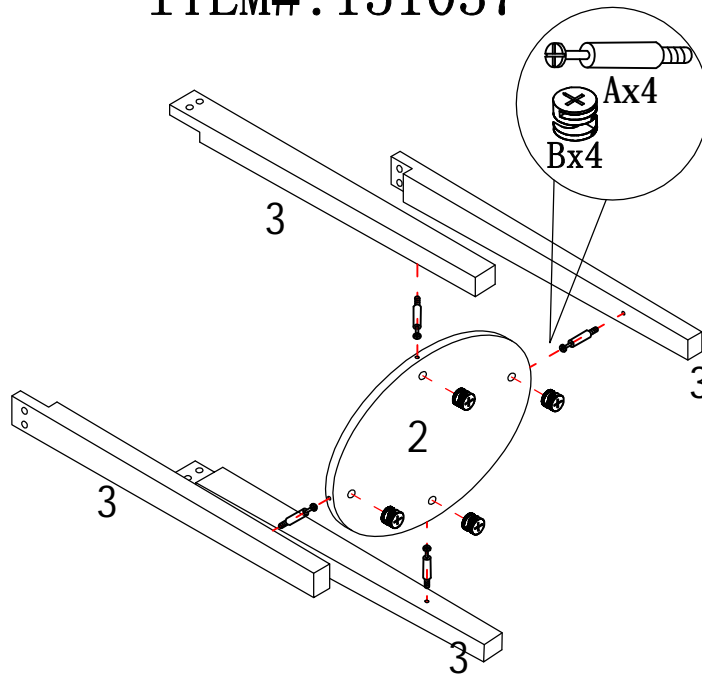
Tools needed - (1) Philips Screwdriver and (1) small Mallet or Hammer.



Need help? For help with assembly or if you are missing a part, please email sales@homeconcept.com

OVAL ACCENT TABLE ASSEMBLY INSTRUCTIONS

ITEM#: 151037



STEP 1

STEP 2

